

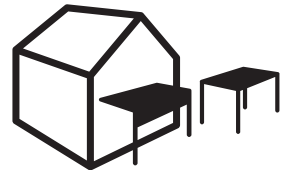


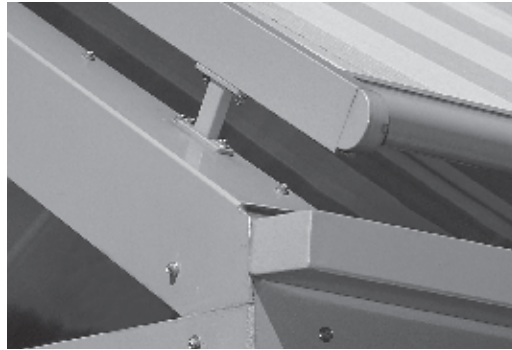
AIROMATIC

MOTORIZED CONSERVATIVE AWNING SYSTEM



STOBAG





Installation Bracket

- Interior or Exterior motorized sun protection
- High quality very compact aluminum profile and construction
- Self-supported cassette box
- Guide rail on track brackets for easy installation on existing and complicated structures
- Integral gas piston/cable operation
- Unit can be mounted and operated at any angle or orientation

PS4000

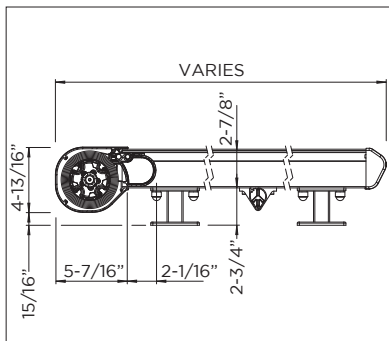
3'4"-13'1"

3'4"-13'1"

CLASS 3 BEAUFORT 6
The wind resistance class can vary depending on version and dimension.

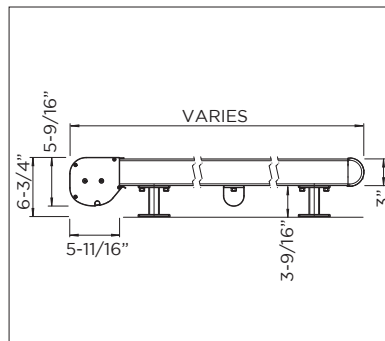


PS4000



Side View

PS4500



PS4500

3'0"-18'1"

3'0"-19'8"

CLASS 3 BEAUFORT 6
The wind resistance class can vary depending on version and dimension.



COLORS*
White

FABRICS
Choose from a comprehensive range of materials and colors.

ELECTRONICS **somfy**
More convenience thanks to the automated control and lighting systems.

*Optional custom colors available.

