

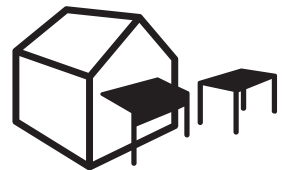


# ASTANO

LOUVER SYSTEMS FOR ATRIUMS (HARD TOP)




STOBAG






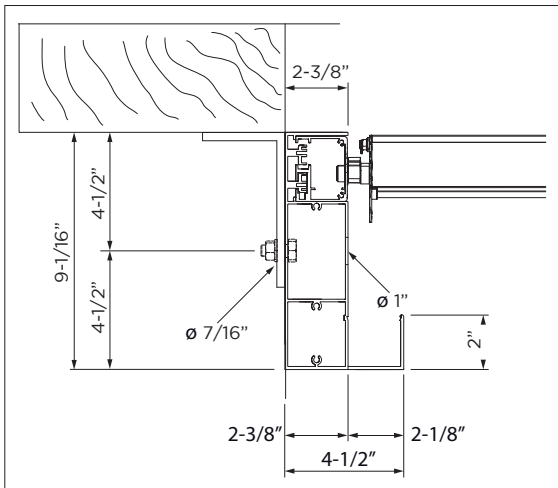
Soffit attachment

- Modularly-expandable system
- Adjustable aluminium louvers (Hardtop)
- Combined solution for sun and rain protection
- Cubic design
- Integrated water run-off
- Corrosion-resistant aluminium construction
- Motorized operation
- Conveniently expandable with:
  - Integrated, dimmable LED lighting
  - Remote control, control systems

 min. 6'-7"  
max. 16'-5"\*  
\*coupled up to 49' 2-9/16"

 6'-7"  
23'-0"

 CLASS 4  
BEAUFORT 5 up to 150 km/h  
when closed



Under Soffit Installation

## CLASSIC COLORS



Classic colors available.



Choose from a comprehensive range of materials and colors.



More convenience thanks to the automated control and lighting systems.



**abc Sun Control Systems**  
7241 Ethel Avenue, North Hollywood, CA 91605  
Phone: 818-982-6989 Fax: 818-982-9171  
abcsuncontrolsystems.com

**"Finely Crafted Shade Systems"**

