

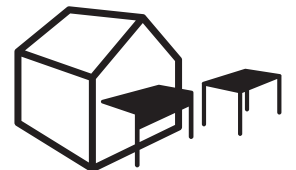


BAVONA

PERGOLA SYSTEM



STOBAG





LED Lighting



Bio-Climate



Coupling

- Modular system w/ up to 115° aluminum slat incline.
- Up to 10 modules can be connected width & length wise
- Natural air circulation
- Mounting options: free-standing or wall/ceiling
- Standard motor drive
- Integrated water drainage
- Anti-clogging water drainage

SINGLE

min. 78-3/4"
max. 236-1/4" *
*from 117-9/16" w/ 2 roof modules

min. 78-3/4"
max. 236-1/4"

Post Height
max. 236-1/4"

CLASS 4
BEAUFORT 7
The wind resistance class can vary depending on version and dimension.



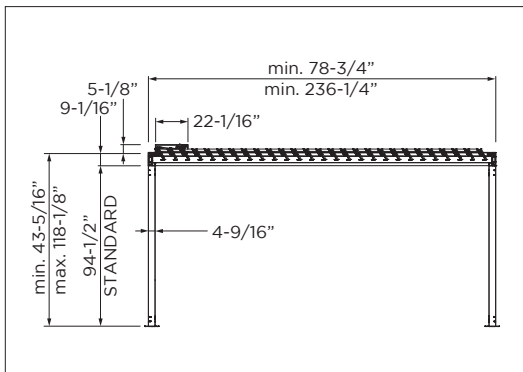
COUPLED

min. 78-3/4"
max. 157-1/2" *
*from 117-9/16" w/ 2 roof modules

min. 78-3/4"
max. 236-1/4" +
+per module

Post Height
max. 236-1/4"

CLASS 4
BEAUFORT 7
The wind resistance class can vary depending on version and dimension.



Side View

COLORS*
White

FABRICS

Choose from a comprehensive range of materials and colors.

ELECTRONICS **somfy.**

More convenience thanks to the automated control and lighting systems.

*Optional custom colors available.



abc Sun Control Systems
7241 Ethel Avenue, North Hollywood, CA 91605
Phone: 818-982-6989 Fax: 818-982-9171
abcsuncontrolsystems.com

“Finely Crafted Shade Systems”

