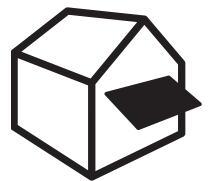




CASABOX

CRANK OPERATED FULL CASSETTE FOLDING ARM AWNING SYSTEM







Square Design



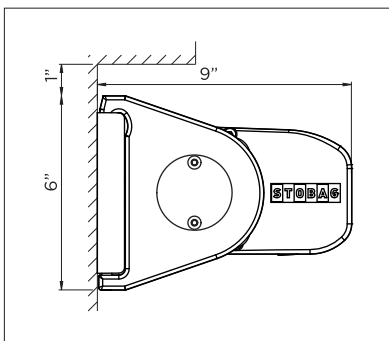
Rounded Design

- Sealed box protects from the elements
- Mounting options: wall, soffit or roof
- Simple and proven installation system for hanging
- Awning incline adjustable to 0°-76° depending on installation
- Choice of square or round drop profile
- Optional cover profile for fittings
- Optional wall joint profile prevents rain water entering between façade and awning

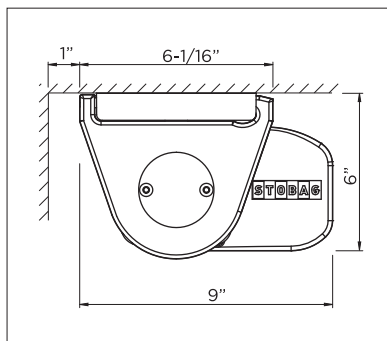
 min. 4'-0"
max. 16'-6"

 3'-4", 5'-3", 6'-6"
8'-2", 9'-10"

 CLASS 2
BEAUFORT 5 The wind resistance class can vary depending on version and dimension.



Wall Installation



Soffit Installation



COLORS*

White  Bronze 

*Optional custom colors available.



FABRICS

Choose from a comprehensive range of materials and colors.



ELECTRONICS



More convenience thanks to the automated control and lighting systems.



abc Sun Control Systems
7241 Ethel Avenue, North Hollywood, CA 91605
Phone: 818-982-6989 Fax: 818-982-9171
abcsuncontrolsystems.com

"Finely Crafted Shade Systems"

