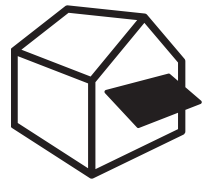




# DELUXE

CRANK OPERATED OPEN ROLLER FOLDING ARM AWNING SYSTEM



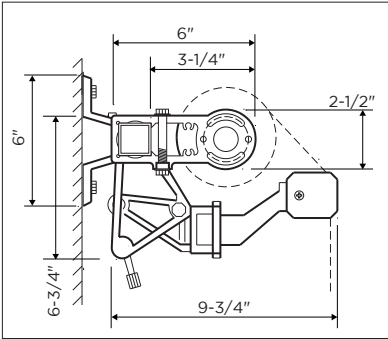


- Sealed box protects from the elements
- Mounting options: wall, soffit/ceiling, rafter
- Manual or Motorized
- Simple and proven installation system for hanging
- Awning incline adjustable to 45° depending on installation
- Choice of square or round drop profile
- Optional cover profile for fittings
- Optional wall joint profile prevents rain water entering between façade and awning
- Optional Manual or Motorized retractable valance

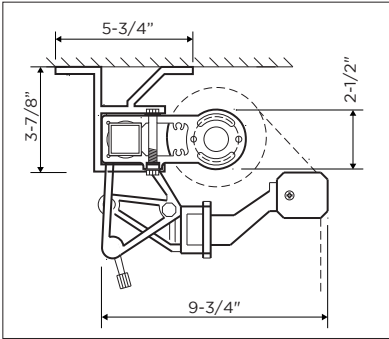
min. 5'-1"  
max. 40'-0"

4'-1", 5'-9", 6'-10"  
8'-6", 10'-2", 12'-0"

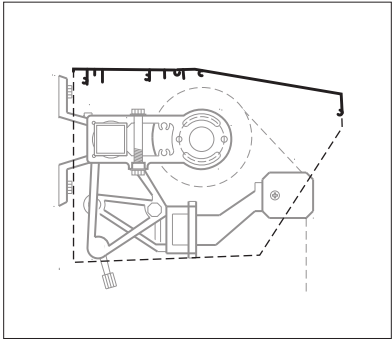
CLASS 2  
BEAUFORT 5 The wind resistance class can vary depending on version and dimension.



Wall Installation



Soffit Installation



Optional Hood & Side Cover Available

COLORS\*

- White
- Sand
- Bronze

\*Optional custom colors available.

FABRICS

Choose from a comprehensive range of materials and colors.

ELECTRONICS **somfy.**

More convenience thanks to the automated control and lighting systems.

