



OMBRAMOBILE

CRANK OPERATED MOBILE AWNING SYSTEM





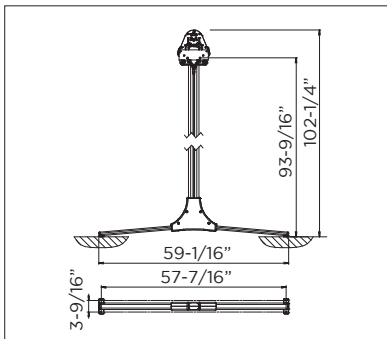
- Awnings protected by cover board
- Does not generally require a building permit
- Anchoring options for the supports using recessed floor sleeves or diagonal feet
- Drop profile fitted with integrated gutter
- Quick and easy assembly
- One-sided wall fastening possible instead of a support
- Optional motorized operation

min. 10'-0"
max. 18'-0"

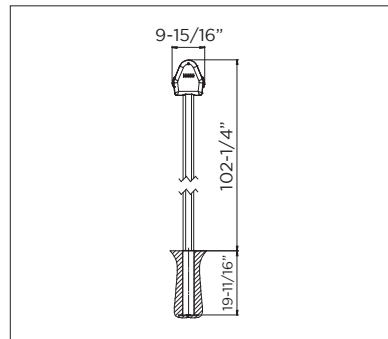
9'-10", 11'-5"
13'-1", 14'-9"

Post Height
max. 102-1/2"

CLASS 2
BEAUFORT 5



Side View w/ Diagonal Foot



Side View w/ Floor Sleeves

COLORS*
White

FABRICS

Choose from a comprehensive range of materials and colors.

ELECTRONICS **somfy**

More convenience thanks to the automated control and lighting systems.

*Optional custom colors available.



abc Sun Control Systems
7241 Ethel Avenue, North Hollywood, CA 91605
Phone: 818-982-6989 Fax: 818-982-9171
abcsuncontrolsystems.com

"Finely Crafted Shade Systems"

