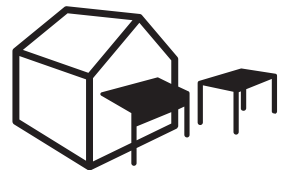
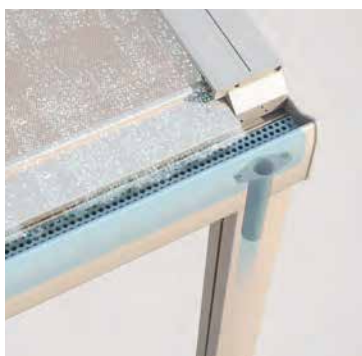




# RIVERA

STURDY PERGOLA AWNINGS WITH LARGE PROJECTIONS





Rain run-off



Fabric in lateral guide




LED lighting


- Up to 275-9/16" projection possible
- High fabric tension ensures rapid rainwater drainage
- Integrated rain drain through the support
- Very stable even at high wind speed
  - highest class in accordance with awning standards
- Adjustable roof incline 8° to 25°

• Options:

- Dimmable LED lighting
- Side/front shading
- Canopy

 min. 6'-7"  
max. 16'-5"\*  
\*coupled up to 49' 2-9/16"

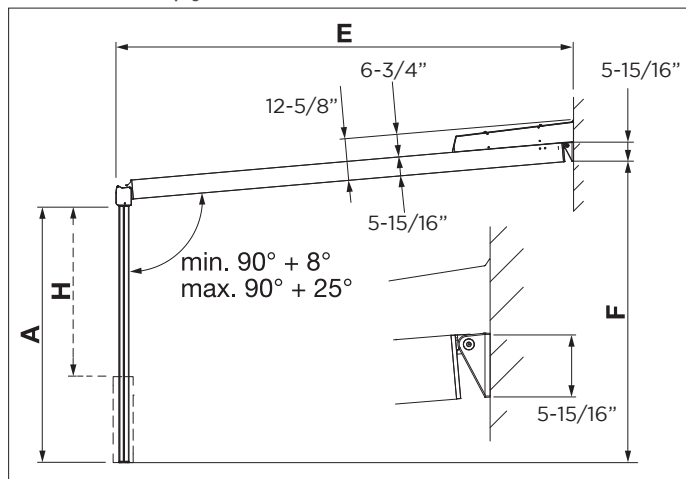
 6'-7"  
23'-0"

 max. 118-13/16""\*\*  
\*\*98-7/16" or higher requires P850 reinforcement



**CLASS 4**  
BEAUFORT 7

The wind resistance class can vary depending on version and dimension.



Wall Installation

CLASSIC COLORS



COLORS\*

Classic colors available.



FABRICS

Choose from a comprehensive range of materials and colors.



ELECTRONICS



More convenience thanks to the automated control and lighting systems.



**abc Sun Control Systems**  
7241 Ethel Avenue, North Hollywood, CA 91605  
Phone: 818-982-6989 Fax: 818-982-9171  
abcsuncontrolsystems.com

**"Finely Crafted Shade Systems"**

