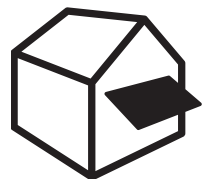




SELECT

CRANK OPERATED OPEN ROLLER FOLDING ARM AWNING SYSTEM





Without Box



With Box



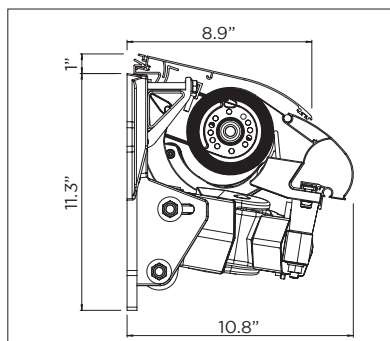
Vertical Wall Bracket

- Sealed box protects from the elements
- Mounting options: wall, soffit, roof or rafter
- Simple and proven installation system for hanging
- Awning incline adjustable from 5° to 60°
- Choice of square or round design
- Optional cover to hide cover roller shaft
- Optional Manual or Motorized retractable valance with rounded box
- Improved winding thanks to the floating system (floating roller)
- Optional LED lighting for attachment to the box
- Optional wall joint profile prevents rain water entering between façade and awning
- Optional motorized operation

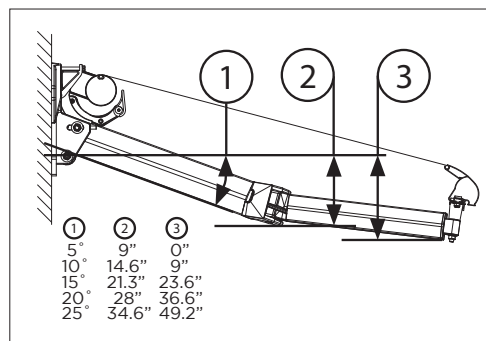
min. 4'-10"
max. 40'-0"

3'-4", 4'-11", 6'-6",
8'-2", 9'-10", 11'-5"
13'-1"

CLASS 2
BEAUFORT 5



Wall Installation



Buckling Depths On Folding Arms



COLORS*

White Ivory
Sand Bronze

*Optional custom colors available.



FABRICS

Choose from a comprehensive range of materials and colors.



ELECTRONICS

somfy

More convenience thanks to the automated control and lighting systems.



abc Sun Control Systems
7241 Ethel Avenue, North Hollywood, CA 91605
Phone: 818-982-6989 Fax: 818-982-9171
abcsuncontrolsystems.com

"Finely Crafted Shade Systems"

