

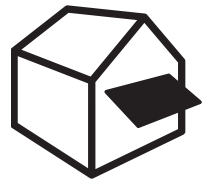


SELECT BOX

SEMI CASSETTE FOLDING ARM SHADE SYSTEM



STOBAG



SELECT BOX



Protective Boxes



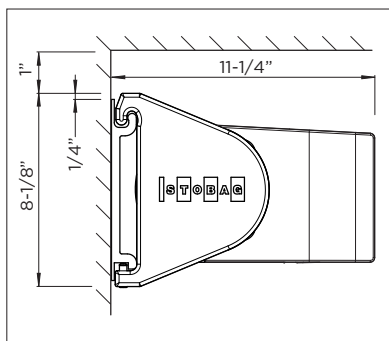
Drop Down Valance

- Sealed box protects from the elements
- Mounting options: wall, soffit, roof or rafter
- Simple and proven installation system for hanging
- Awning incline adjustable from 5° to 60°
- Choice of square or round design
- Optional cover to hide cover roller shaft
- Optional drop down valance with rounded box: Acrylic cover to max. 47-1/4" and Soltis 86/Soltis 92 to max. 66-15/16" high. Improved winding thanks to the floating system (floating roller)
- Optional LED lighting for attachment to the box
- Optional wall joint profile prevents rain water entering between façade and awning
- Optional motorized operation

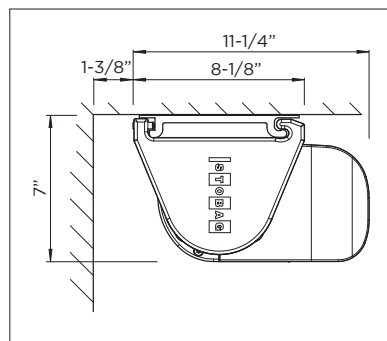
min. 6'-10"
max. 19'-8"

4'-11", 6'-6", 8'-2"
9'-10", 11'-5", 13'-1"

CLASS 2
BEAUFORT 5



Wall Installation



Soffit Installation



COLORS*

White



FABRICS

Choose from a comprehensive range of materials and colors.



ELECTRONICS

somfy.

More convenience thanks to the automated control and lighting systems.

*Optional custom colors available.



abc Sun Control Systems
7241 Ethel Avenue, North Hollywood, CA 91605
Phone: 818-982-6989 Fax: 818-982-9171
abcsuncontrolsystems.com

“Finely Crafted Shade Systems”

