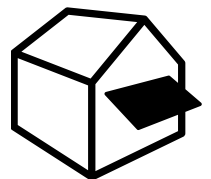




SELECT PLUS

CRANK OPERATED OPEN ROLLER FOLDING ARM AWNING SYSTEM



SELETCT PLUS

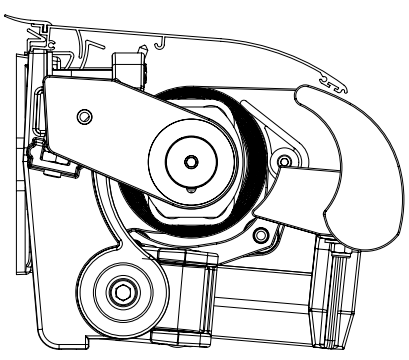


- Very stable triangular torsion bar
- Cover protected in box when retracted, external folding arm
- Various mounting options to the wall, below the ceiling or to the
- Variable bracket positioning
- Awning incline adjustable from 5° to 60°
- Optional Valance provides additional shade and hides the awning
- Optional drop down valance: Acrylic cover to max. 120cm and Soltis 86/Soltis 92 to max. 170 cm high. Improved winding thanks to the floating system (floating roller)

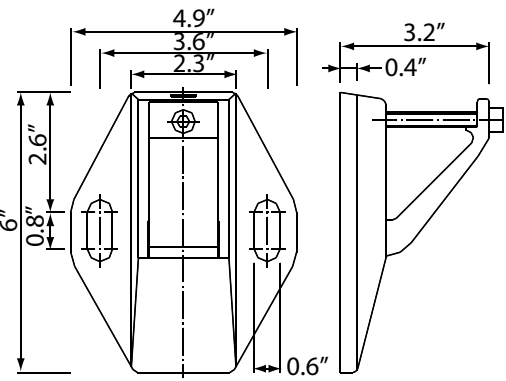
min. 4'-7"
max. 12'-0"

6'-6", 8'-2"
9'10", 11'-5"

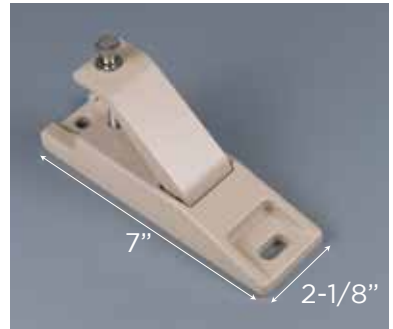
CLASS 2
BEAUFORT 5



FRONT RAIL S894 WITH MOTOR POWERFLEX



SELECT HORIZONTAL WALL BRACKET S821/1 (OPTIONAL)



STOBAG VERTICAL WALL BRACKET

COLORS*
White

FABRICS
Choose from a comprehensive range of materials and colors.

ELECTRONICS **somfy**
More convenience thanks to the automated control and lighting systems.

*Optional custom colors available.



abc Sun Control Systems
7241 Ethel Avenue, North Hollywood, CA 91605
Phone: 818-982-6989 Fax: 818-982-9171
abcsuncontrolsystems.com

“Finely Crafted Shade Systems”

